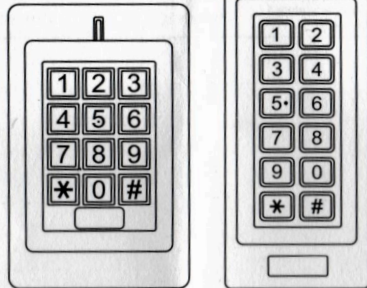


Easy Keypad (Outdoor)



User Manual

INTRODUCTION

The device is a single entry standalone Access Control with integrated keypad and card reader. It is an easy to install and operate device, designs in as less as 6 wires for mounting, with user-friendly programming. The compact design makes it a good choice for door access.

The device is housed in a strong Zinc Alloy electroplated case. It supports up to 1000 users in multiple access configurations (Card Only, Card or PIN, or Card + PIN). The built in card reader supports EM 125KHz frequency cards.

Two Versions Optional:

- 1) Indoor, nonwaterproof
- 2) Outdoor, Waterproof(IP66)

Features

- > Waterproof, conforms to IP66
- > Vandal Resistant Enclosure
- > Backlit Keypad
- > Multi-color LED status display
- > One Programmable Relay Output
- > 1000 Users(990 Normal Users+10 Visitor Users)
- > Access Mode: Card, PIN, Card + PIN
- > Low power consumption (50mA)
- > Anti-Tamper Alarm
- > Latch Mode to hold door or gate open
- > 9-18V DC Power input

Specifications

User Capacity	1000 Cards/PINs
Normal Users	990
Visitor Users	10
Operating Voltage	9-18V DC
Idle Current	50mA
Active Current	80mA
Keypad	12 Key
Proximity Card Reader	EM
Radio Technology	125 KHz Industry Standard Proximity Card
Read Range	3-6cm
Wiring Connections	Relay Output, Exit Button
Relay	One (NO, NC, Common)
Adjustable Relay Output Time	0-99 Seconds (5 seconds default)
Lock Output Load	3 Amp Maximum
Environment	Meets IP66
Operating Temperature	-40°C~60°C, -40°F~140°F
Operating Humidity	10%-90% Non-condensing

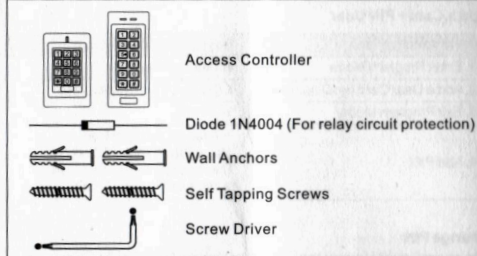
Physical

Surface Finish
Dimensions
Unit Weight
Shipping Weight

Zinc-Alloy Enclosure

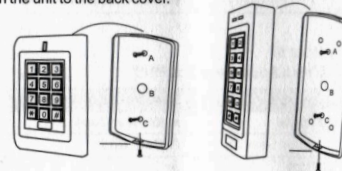
Powder Coat
L120 X W76 X H25 (mm) (Wide)
L130 X W56 X H23 (mm) (Narrow)
470g(Wide)/490g(Narrow)
550g(Wide)/550g(Narrow)

Carton Inventory



INSTALLATION

- > Remove the back cover from the unit
- > Drill 2 holes(A,C) on the wall for the screws and one hole for the cable
- > Knock the supplied rubber bungs to the screw holes(A,C)
- > Fix the back cover firmly on the wall with 4 flat head screws
- > Thread the cable through the cable hole(B)
- > Attach the unit to the back cover.

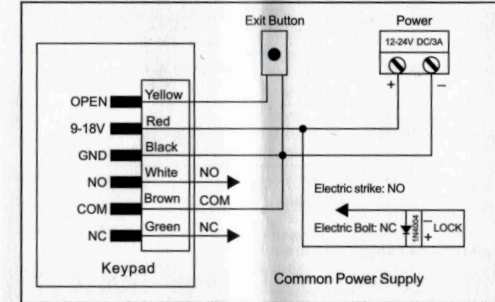


Wiring

Wire Insulation Colour	Function	Notes
Yellow	OPEN	Request to Exit input(REX)
Red	Power +	9-18 Vates DC Regulated Power Input
Black	GND	Ground
White	NO	Normally Open Relay Output
Brown	COM	Common Connection for Relay Output
Green	NC	Normally closed Relay Output

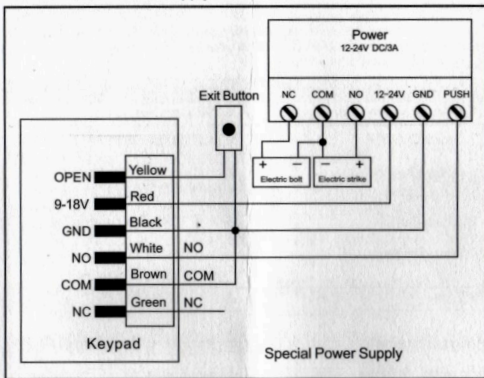
Connection Diagram

Common power supply:



Attention: Install a 1N4004 or equivalent diode is needed when use a common power supply, or the keypad might be damaged. (1N4004 is included in the packing)

Access Control Power Supply:



PROGRAMMING

Programming will vary depending on access configuration. Follow the instructions according to your access configuration.

Programming 1----- Configure the device

Change the configure settings according to your application (optional). Multiple configuration settings can be changed at one time: enter program mode, change desired settings, then exit program mode.

Set Master Code

The 4-6 digit Master Code is used to prevent unauthorized access to the system. To interface with the device the manager will need a Master Code (factory default code: 6666). We highly recommend immediate update and record of your Master Code.

Change a PIN

This operation is executed from outside of Program Mode.

Programming Step	Keystroke Combination
1. Change a PIN	* (User ID #) (Old PIN #) (New PIN #) (New PIN #)

ACCESS CONFIGURATION: CARD+PIN-----

Add a Card+ PIN User

Programming Step	Keystroke Combination
1. Enter Program Mode	* (Master Code) #
2. Add a User Card by ID number	1 (User ID #) (Read Card) #
3. Exit Program Mode	*
4. Add PIN	* (Read Card) (1234#) (New PIN #) (New PIN #) This operation is executed from outside of Program Mode

Change PIN

Allows card user to update the PIN for their card + PIN User ID. This operation is executed from outside of Program Mode.

Programming Step	Keystroke Combination
1. Change PIN using a Card	* (Read Card) (Old PIN #) (New PIN #) (New PIN #)
OR	
1. Change PIN using ID	* (User ID #) (Old PIN #) (New PIN #) (New PIN #)

Delete Card by User ID

Deleting by ID number will clear cards and PINS

Programming Step	Keystroke Combination
1. Enter Program Mode	* (Master Code) #
2. Delete User Card by User ID	2 (User ID) #
3. Exit Program Mode	*

Visitor User Setting

There are 10 groups Visitor PIN/card available, the users can be specified up to 10 times of usage, after a certain number of times, i.e. 5 times, the PIN/card become invalid automatically.

Programming Step	Keystroke Combination
1. Enter Program Mode	* (Master Code) #
2. Add Visitor PIN User	8 (0-9 #) (User ID #) (PIN #) PIN is any 4-6 digits number except 1234
OR	
2. Add Visitor Card User	8 (0-9 #) (User ID #) (Read Card #)
2. Delete Visitor Users	2 (User ID #)
3. Exit Program Mode	*
Note: Number of time is 0-9, 0=10 times User ID number must be any number between 990-999 Visitor PIN/card must be unique, should be distinguished from common PIN and card	

OTHERS

Reset to Factory Default:

- Power off
- Press the * Button, hold it and power on
- There will be two beeps, release the button, then will have one beep
The device reset to factory default successfully.

Remark: Reset to factory default, the user's information is still retained.

Erase all Users

This will delete ALL User data.

- Enter Program Mode by press: *(Master Code) #.
 - Press 20000 #
 - Exit: *
- All configuration data is retained.

Reset Strike-Out Alarm

Enter Master Code or Valid Card/PIN to silence

Sound and Light Indication

Operation Status	Red LED	Green LED	Sounds
Power on	Bright		Short Single Beep
Stand by	Bright		
Press Keypad	Flashing		Short Single Beep
Enter Master Code Entry Mode	ON		Short Single Beep
In program mode	ON	Single Flash	Short Single Beep
Entered Program Step Successfully	ON	Single Flash	Short Single Beep
Entered Program Step Incorrectly			Short Single Beep
Exit from the programming mode	Bright		3 Short Beeps
Entry Granted		ON	Short Single Beep
Open lock	Green light bright		One beep
Alarm Mode Engaged	Flashing		Alarm
Alarm	Red light Shines quickly		Beeps
Pressing * Toggles Standby / Master Code Entry	ON/Flashing		Short Single Beep